

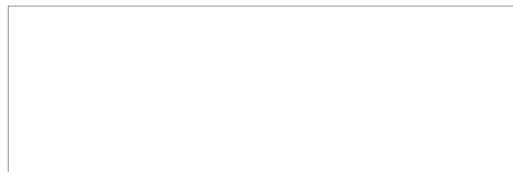


www.alfaromeo.com.au

Fiat Chrysler Group, PO Box 23267, Docklands VIC 3008

Chrysler Australia Pty Ltd trading as Fiat Chrysler Group reserves the right to discontinue or change the models, features, specifications, options, designs and prices of the products referred to in this brochure without incurring any liability whatsoever to any purchaser or prospective purchaser of any such products. Some of the items herein are optional at extra cost. Consult your Alfa Romeo Dealer for the latest information on models, specifications, features, prices, options and availability. ABN 23 125 956 505

Printed in Australia 09/12 SBALFAGUIL



Giulietta





BOLD BEAUTY. Be bold enough in your style and personality, to stand out from the crowd.
SIMPLE SPACE. Find a welcoming living space to cocoon yourself against chaos and the masses.
TROUBLE-FREE TECHNOLOGY. Choose advanced solutions to simplify and improve life.
SAFE EVOLUTION. Discover new safety in evolution, to look to the future with confidence.
SATISFYING ROAR. Listen to the sound of sustainable force, overcoming the arrogance of pollution.
FREE DRIVING. Experience the pleasure of setting out to discover the world in a new way.
ALFA ROMEO GIULIETTA. FUTURE ALFA.





BOLD BEAUTY.

Be bold enough in your style and personality
to stand out from the crowd.

The Giulietta was created with its own style. Starting with Alfa Romeo motifs, it draws the lines of a new evolution. Pure **DYNAMISM** that runs across the 5 doors and along the side musculature embraces styling details such as the aerodynamic spoiler. It has a **DETERMINED**, elegant front end, set off to perfection by large LED headlights. The LEDs, present also at the rear, underscore the look of the light clusters that are built into a rear end that evokes **COMFORT** and well-thought out space. ■



ALFA ROMEO GIULIETTA



The image shows the interior of a car, focusing on the dashboard and center console. The dashboard features a digital display showing 'KERMEDIA: 107.60 MHz' and several analog gauges, including a temperature gauge showing '21.5'. The center console has a manual gear shift with a leather boot and a handbrake. The seats are upholstered in a dark fabric with red stitching. The overall aesthetic is clean and functional, with a focus on simplicity and space.

SIMPLE SPACE.

Find a welcoming space to protect yourself against chaos and the masses.

Rationalise. This is what the Giulietta has chosen to do. Leave chaos behind to welcome you on board into a silent, welcoming environment. Still those clamouring voices to listen to the sound of style. A mainly monochrome environment for all trim levels enlivened by gleaming **HIGHLIGHTS**. Shapes, fabrics and materials that communicate the same attention to quality. Attractive retro motifs include: a wide dashboard, vintage-style rocker keys reminiscent of the 8C Competizione, plus a three-spoke steering wheel and wrap-around seats. Practical **SPACE**: five genuinely comfortable seats and 350 litres in the luggage compartment. ■



GIULIETTA ALFA ROMEO GIULIETTA ALFA ROMEO GIULIETTA ALFA ROMEO GIULIETTA ALFA ROMEO GIULIETTA ALFA ROMEO GIULIETTA ALFA ROMEO GIULIETTA ALFA ROMEO GIULIETTA ALFA ROMEO GIULIETTA ALFA ROMEO GIULIETTA ALFA ROMEO GIULIETTA ALFA ROMEO GIULIETTA ALFA ROMEO GIULIETTA ALFA ROMEO GIULIETTA ALFA ROMEO GIULIETTA ALFA ROMEO GIULIETTA ALFA ROMEO GIULIETTA ALFA ROMEO GIULIETTA ALFA ROMEO



TROUBLE-FREE TECHNOLOGY.

Choose advanced solutions
to simplify and improve life.

In a time when everything tends to get complicated, Giulietta chooses trouble-free technology. Solutions that adapt to the needs of the driver, offer increased safety, and ensure the best combination of **PERFORMANCE** and **EFFICIENCY** with respect for the environment.

A car designed to improve, in every sense, quality of life.

The main technologies offered as standard on the Giulietta include:



ALFA Q2, the electronic self-locking differential that guarantees precision & safety when driving.



ALFA DYNAMIC STEERING, for active, precise and direct steering.



PRE-FILL, for reducing stopping distances during emergency braking.





HILL HOLDER, for easier hill starts.



ALFA SAFETY STEERING, the innovative system which suggests effective countersteering manoeuvres to the driver by means of a pulse on the steering wheel.



LEDS, in the front and rear light clusters, ensuring greater visibility. ▶▶







ALFA DNA The device allows the car's personality to be adapted to the needs of the driver and different road conditions.



When the selector is in **DYNAMIC** position, the car's performance is exactly as you would expect from the sporting spirit of any Alfa Romeo: the engine response is immediate, delivery is substantial due to the overboost, braking is prompt and clean thanks to the Pre-fill, while the Alfa Q2 differential allows corners to be tackled in complete safety.



With the selector set to **NORMAL**, even everyday driving becomes more fun, guaranteeing a comfortable, smooth drive at all times. Fuel consumption is also reduced.



When set to **ALL WEATHER**, the Giulietta gets ready for the toughest grip conditions by alerting and enabling all of the active safety systems in advance. The engine response will become more gradual and controlled. ▶▶





ALFA TCT. This is the innovative twin dry clutch automatic transmission, conceptually consisting of two gearboxes in parallel that allow the next gear to engage while the previous one is still engaged. The Alfa TCT guarantees driving comfort and a sporty feeling well above those offered by conventional automatic transmissions, as well as improved efficiency and lower fuel consumption levels. It can operate in either completely automatic mode or sequential mode: in this mode, gear changes are managed manually through the **UP** and **DOWN** positions on the gear lever or the steering wheel controls.



DRIVING PLEASURE. Alfa TCT interacts with all of the car's electronic systems. In particular, it dialogues continuously with the Alfa DNA selector, ensuring the most appropriate behaviour for the road, the driving conditions and the driver's driving style.

EFFICIENCY. Since it interacts with Alfa DNA and Start&Stop, Alfa TCT not only uses 10% less fuel than a traditional automatic transmission (with torque converter), but also uses up to 10% less than the same versions with a manual gearbox.

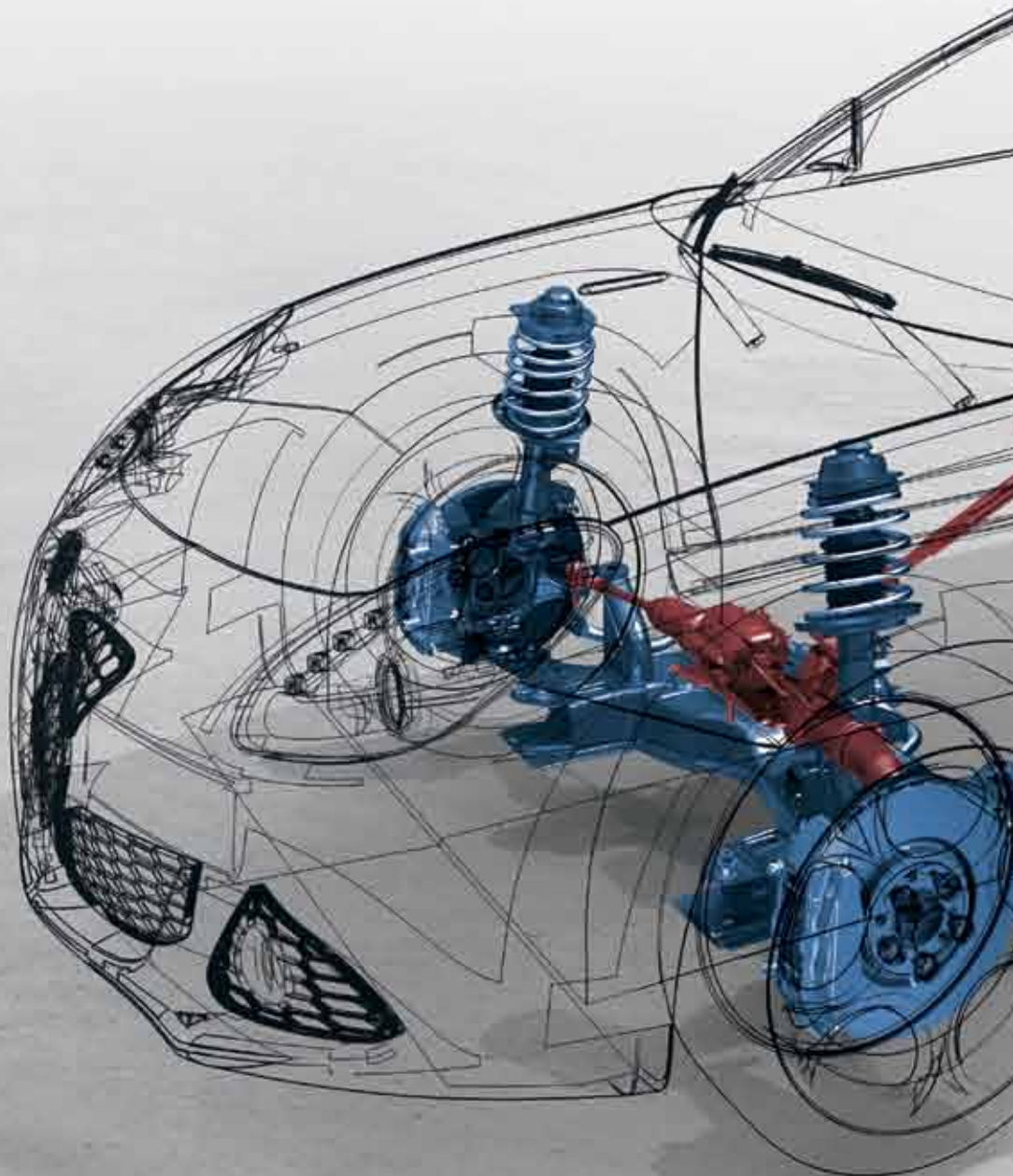
COMFORT. Alfa TCT is practical and versatile: it allows you to choose between automatic and sequential mode, according to whether you prefer a more comfortable or sporty drive. In both cases, the transmission architecture ensures truly rapid gear shifts and continuous torque delivery and traction, with no loss of power. ▶▶





ALFA DYNAMIC STEERING. This state-of-the-art steering system was developed specially to guarantee the driving satisfaction for which Alfa Romeo is renowned. The advantages are immediate:

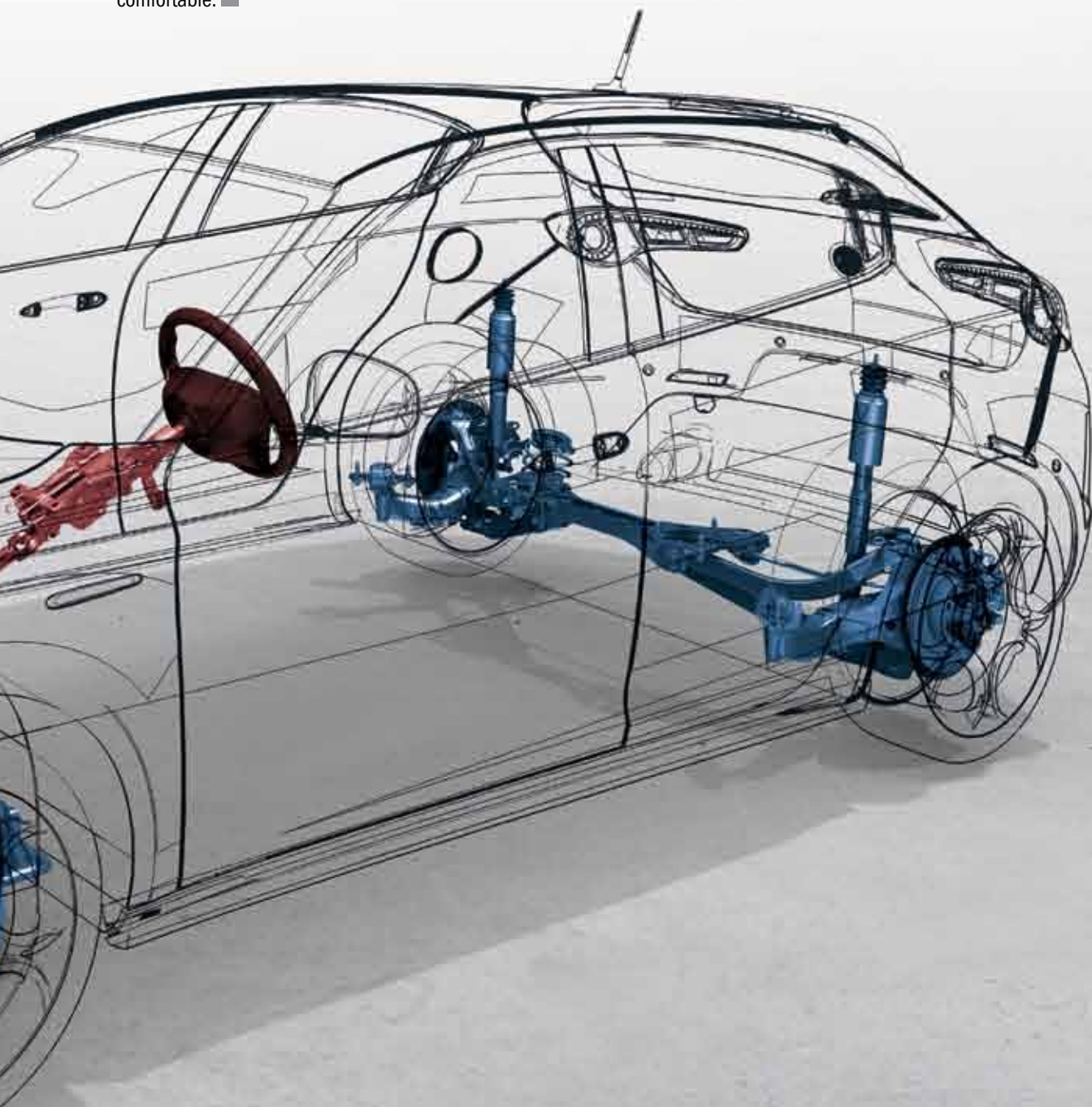
- direct, sensitive steering in all driving conditions
- full integration with vehicle dynamic control systems and with Alfa DNA
- great driving comfort due to variable power-assisted steering
- very easy to handle around town and during parking manoeuvres due to a turning circle of just 10.9 m
- fuel consumption slashed by 3% compared to a conventional system



SUSPENSION. The suspension systems designed for the Giulietta are just asking to be put to the test.

The **ADVANCED MACPHERSON** front suspension, built using light materials, is designed to ensure both crisp entry to bends and maximum comfort.

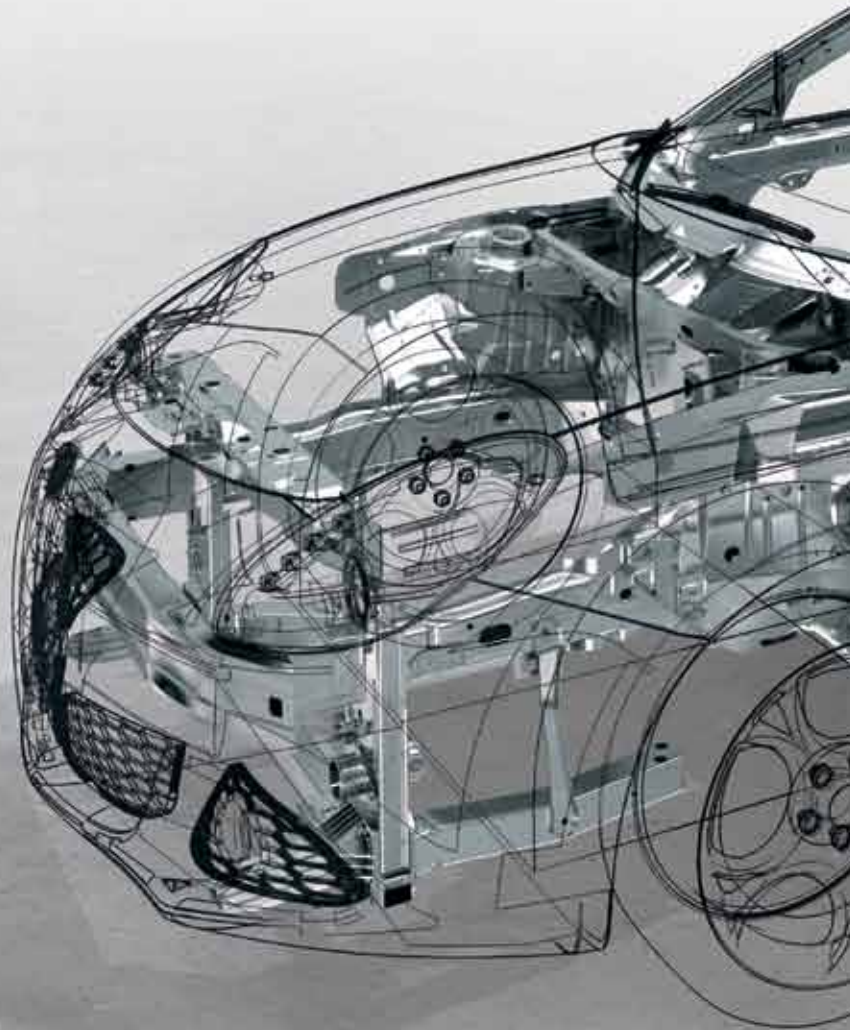
The new **MULTILINK** layout adopted at the rear offers great road-holding combined with a superior level of comfort. This suspension architecture was developed to offer more useful volume in the luggage compartment and to weigh more than 10kg less than a conventional Multilink suspension. To sum up, the Giulietta suspension system expresses a dual spirit: sporty and entertaining, manageable and comfortable. ■



SAFE EVOLUTION.

Discover new safety in evolution,
to look to the future with confidence.

Giulietta is born out of a totally new and innovative **ARCHITECTURE**, a design that builds on Alfa Romeo's long experience in engineering. The highly advanced materials used, such as aluminium, magnesium and high-strength steels, combine extremely high qualities of strength and rigidity with weight reduction. The new floor pan is a veritable system in its own right that interacts synergetically with each individual mechanical and electronic component on the car to guarantee agility, comfort and safety.



Thanks also to the new architecture, the Alfa Romeo Giulietta is **EUROPE'S SAFEST COMPACT CAR**, as confirmed by a score of 87/100 and the 5-star rating given by **EURONCAP**: the best ever result in the category. Reaching this level of protection involved more than 15,000 hours of virtual analysis, 100 crash tests, 150 tests on a HyGe slide and more than 100 tests on components and subsystems. The third load line increases the energy-absorbing capacity of the front end and reduces both inertia forces and intrusions into the passenger compartment. These qualities are complemented by 6 airbags as standard throughout the range, three-point seatbelts with double pretensioners and load limiter, collapsible pedal unit and steering column, second-generation anti-whiplash system and Isofix attachments. ■



SATISFYING ROAR.

Listen to the sound of sustainable force, overcoming the arrogance of pollution.

The roar of Alfa Romeo engines speaks of responsible performance: the importance of being able to call on power when you need it, while always guaranteeing respect for the environment. The range includes only Euro 5 **PETROL** and **DIESEL** engines. An advanced petrol turbo engine, the revolutionary 125 kW 1.4 MultiAir. A second-generation MultiJet diesel engine, the 125 kW 2.0 Alfa JTDM. Last but not least, the lively 173 kW 1750 TBi in an exclusive Quadrifoglio Verde (QV) trim level, the quintessence of Alfa Romeo sportiness.

ALFA MULTIAIR. For a car that ushers in a new age, latest generation petrol engines for revolutionary results in terms of performance, eco-friendliness and versatility. The International Engine of the Year award achieved by the 1.4 Alfa MultiAir confirms its superlative qualities: this is one of the most coveted international awards for engines.



- From 10% to 35% more maximum power with the adoption of a high-performance cam profile.
- Torque at low rpm is improved by up to 15% thanks to direct control over valve lift.
- Pick-up improved by up to 12% due to high air mass pressure.



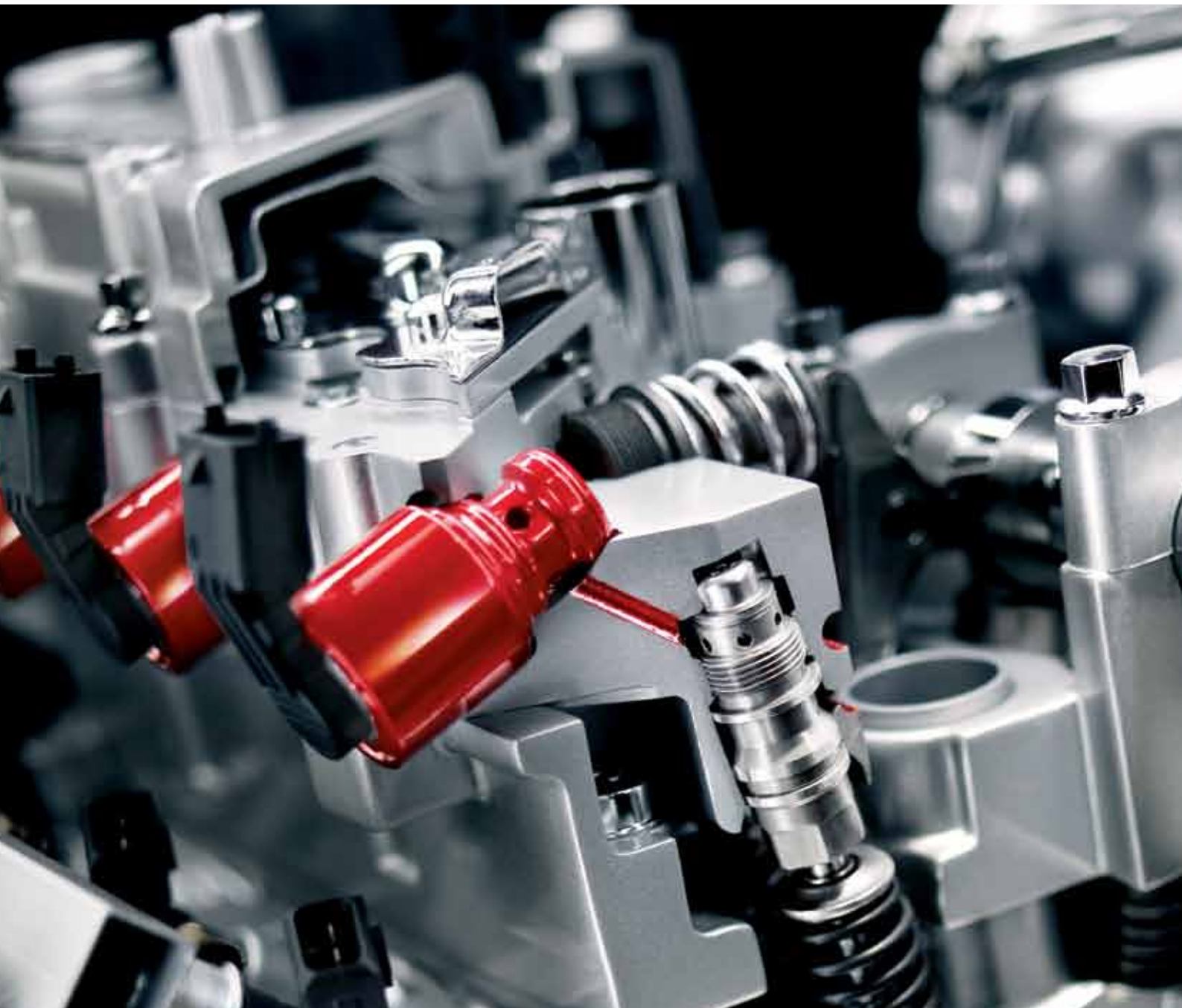
- A reduction of up to 10% in fuel consumption emissions thanks to the elimination of pumping losses.



START & STOP. This device, which can be turned off by the driver, automatically stops and starts the car when at a standstill in town traffic to reduce fuel consumption, harmful emissions and noise pollution. Start & Stop is available on the 125 kW 1.4 TB MultiAir and the 125 kW 2.0 JTDM (not available on the 173 kW 1750 QV).



GSI. The Giulietta offers yet another aid to reduce fuel consumption and emissions. It goes by the name of Gear Shift Indicator, and is the device that suggests when to change to the gear best suited to optimise power unit efficiency and reduce fuel consumption by turning on a light on the control panel. GSI is active in the Natural and All weather settings of the Alfa DNA selector. ►►



Engine versions

	1.4 TB MultiAir 125 kW/TCT	1750 TBi 173 kW	2.0 JTD_M 125 kW/TCT
No. of cylinders, layout	4, in line	4, in line	4, in line
Displacement cm³	1,368	1,742	1,956
Max power kW - rpm	125 - 5,500	173 - 5,500	125 - 4,000
Torque Nm - rpm	250 - 2,500	340 - 1,900	350 - 1,750
Weight kg	1,290 / 1,310	1,320	1,320 / 1,340
Top speed km/h	218	242	218
Acceleration 0 -100 km/h (secs)	7.8 / 7.7	6.8	8.0 / 7.9
CO₂ emissions (g/km)	134 / 121	177	124 / 119
Environmental classification	Euro 5	Euro 5	Euro 5
Start&Stop	As standard	N.A.	As standard



**TRIM LEVELS AND
CUSTOMISATIONS.**



DISTINCTIVE

1.4 TB MultiAir 125 kW

2.0 JTD_M 125 kW



Standard Features:

- 17-inch sports alloy wheels with 225/45 tyres
- Chrome line (chrome-plated window frame)
- Fog lights
- Leather steering wheel
- Radio controls on steering wheel
- On-board instrumentation with configurable display & trip computer
- Automatic dual-zone climate control system
- Front armrest with storage compartment
- Interiors with Competizione fabric
- Rear parking sensors
- Blue&Me™
- Alfa Romeo DNA



Competizione fabric
Black (standard)



Natural leather
(optional)



Sports with
"cannelloni" rolls
Red with red stitching



Sports with
"cannelloni" rolls
Black with red stitching



Alfa dual-zone automatic climate control (standard)



Rear parking sensors (standard)



Alfa Romeo DNA (standard)



Exterior chrome line (standard)



Radio controls on steering wheel (standard)

QUADRIFOGLIO VERDE

1750 QV 173 kW



As Distinctive, plus:

- 18-inch special alloy wheels with 225/40 tyres
- Sports ride with low suspension
- Side skirts
- Oversize braking system with painted red brake callipers
- Quadrifoglio Verde logo
- Headlights with dark finish
- Tinted windows
- Satinised door mirror fairings
- Black interior
- Bose® hi-fi system
- Dark brushed aluminium dashboard inserts
- Interiors in leather and microfibre fabric with red stitching
- Side skirts
- Leather steering wheel with red stitching
- Aluminium sports pedal kit



Leather and microfibre fabric
Black with red stitching (standard)



Leather with "cannelloni" rolls
Black with red stitching

THE QUADRIFOGLIO. A symbol that is deep-rooted in Alfa Romeo's past and that has autographed the great racing cars. The Giulietta, a car that embodies the perfect combination of sportiness and contemporary charm, is carrying the Quadrifoglio forward into a new era. Its performance is the result of its 173 kW 1750 direct injection turbopetrol engine with dual continuous variable valve timing and turbocharger with scavenging system and intercooler. The weight/power ratio of 5.6 kg/HP, the sports geometry with lowered suspension and the powerful braking system ensure the handling and performance of a racing vehicle on the road.





Dark brushed aluminium dashboard inserts (standard)
Leather steering wheel with red stitching (standard)
Aluminium sports pedal unit (standard)



Satin door mirror fairings



Dark finish headlights (Overseas model shown)



Aluminium kick plate



Aluminium sports pedal unit

Technical data

	1.4 TB MultiAir	2.0 JTDM	1750 TBI
SPECIFICATIONS			
No. of cylinders, layout	4, in line	4, in line	4, in line
Bore × stroke (mm)	72 x 84	83 x 90.4	83 x 80.5
Displacement (cc)	1,368	1,956	1,742
Compression ratio	9.8 : 1	16.5 : 1	9.5 : 1
Maximum power output kW (HP - EC) at rpm (DYNAMIC)	125 @ 5,500 rpm	125 @ 4,000 rpm	173 @ 5,500 rpm
Peak torque Nm @ rpm (DYNAMIC)	250 @ 2,500 rpm	350 @ 1,750 rpm	340 @ 1,900 rpm
Distribution (control)	Toothed belt with hydraulic tappets and intake side MultiAir system	Toothed belt with hydraulic tappets	Two continuously variable valve timing units and toothed belt with hydraulic tappets
Fuel Supply	MPFI supercharged and MultiAir valve control system, intercooler	MultiJet 2: direct injection 1,600 bar, variable geometry turbocharger and intercooler	Direct petrol injection and turbocharging with scavenging system and intercooler
Stop&Start system for automatic engine stopping/starting for short stops during city driving, useful for optimising fuel consumption and CO ₂ emissions	As standard	As standard	Not available
ELECTRICAL SYSTEM (12 V)			
Battery: capacity (Amp Hour) / Generator (Amps)	63/450	72/570	60/540
TRANSMISSION			
Drive	Front	Front	Front
Gearbox	6-speed manual/TCT	TCT	6-speed manual
TYRES			
Standard trim level	225/45 R17 91W	225/45 R17 91W	225/40 R18 91W
STEERING			
Steering box	Dual Pinion	Dual Pinion	Dual Pinion
Kerb-to-kerb turning circle (m)	10.9	10.9	10.9
SUSPENSION			
Front	Advanced MacPherson with aluminium knuckle, hollow anti-roll bar, fitted on connecting rod		
Rear	Multilink with auxiliary frame and aluminium wishbones and anti-roll bar		
BRAKES (DISCS)			
Front (mm)	305	305	330
Rear (mm)	264	264	278
CAPACITIES - WEIGHTS			
Fuel tank (l)	60	60	60
Kerb weight DIN (kg)	1,290	1,320	1,320
Max towable weight (kg) with braked trailer	1,300	1,300	1,300
PERFORMANCE			
Max speed (km/h)	218	218	242
Acceleration (driver + 30 kg) 0-100 km/h (s)	7.8	8.0	7.2
FUEL CONSUMPTION - EMISSIONS In accordance with Directive 1999/100/EC			
Consumption (l/100 km) urban cycle	7.9/6.7*	5.3*	10.8
Extra-urban cycle	4.7/4.3*	4.0*	5.8
Combined cycle	5.9/5.2*	4.5*	7.6
CO ₂ emissions (g/km)	134/121*	119*	177
Environmental classification	Euro 5	Euro 5	Euro 5

*Denotes TCT figures

Standard equipment and options

P = Packaged • = Standard - = Not available

	DISTINCTIVE 1.4 TB MultiAir (manual)	DISTINCTIVE 1.4 TB MultiAir/ 2.0 JTDM TCT	QUADRIFOGLIO VERDE 1750 QV
EXTERIOR EQUIPMENT			
Chrome line (chrome-plated window frame)	•	•	•
Tinted windows (rear window and rear doors)	P	P	•
Electric heated door mirrors, body colour	•	•	•
Sunroof with extensive glazed area (linked to Black interior opt 5KW)	O	O	O
Pastel paint	O	O	O
Metallic paint	O	O	O
420 17-inch sports turbine-design alloy wheels with 225/45 tyres	•	•	-
55E 18-inch sports turbine-design alloy wheels with dark treatment and 225/40 tyres	-	-	•

AESTHETIC FEATURES			
Sports suspension	P	P	•
Lowered ride height	P	P	-
Satin door mirror fairings	P	P	•
Twin exhaust pipe	-	-	•
Side skirts	O	O	•
Red brake calipers	P	P	•
Dark finish headlights	P	P	•
QV Sportiva Badge	P	P	-
Quadrifoglio Verde logo	-	-	•
Spoiler	P	P	•

Exterior colours

Solid paint



296 Ghiaccio White

289 Alfa Red



601 Black

Metallic paint



620 Alfa Silver

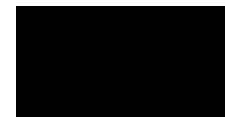
106 Red



319 Anthracite Grey



318 Magnesio Grey



805 Etna Black



466 Profondo Blue



420 17" sports turbine-design alloy wheels (standard on 1.4 MultiAir & JTDM)

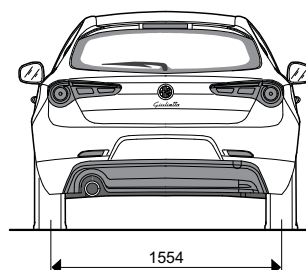
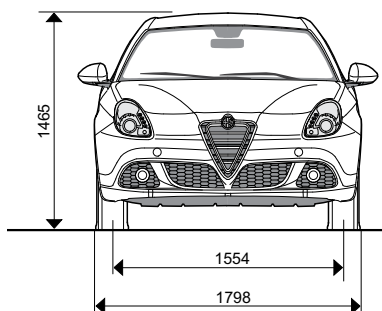
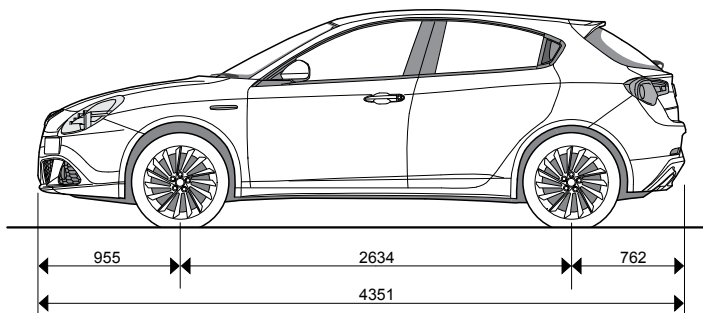


435 18" sports turbine-design alloy wheels



55E 18" sports turbine-design alloy wheels with dark finish (available on TCT MultiAir & JTDM)

Dimensions



Luggage capacity compartment: 350 litres

Standard equipment and options

P = Packaged • = Standard O = Optional - = Not available

	DISTINCTIVE 1.4 TB MultiAir (manual)	DISTINCTIVE 1.4 TB MultiAir/ 2.0 JTDM TCT	QUADRIFOGLIO VERDE 1750 QV
SAFETY / MECHANICAL PARTS			
Front air bags	•	•	•
Front side bags	•	•	•
Window bags	•	•	•
Passenger air bag	•	•	•
Alfa Romeo DNA	•	•	•
ABS with ASR Brake Assistant, Q2 electronic differential, ESP with Hill Holder	•	•	•
Fog lights	•	•	•
Space-saver wheel for 17" and 18" rims	•	•	•
Seat Belt Reminder (SBR)	•	•	•
Dusk sensor	•	•	•
Rear parking sensors	•	•	•
Rain sensor	•	•	•
Outside temperature sensor	•	•	•
Humidity sensor	•	•	•
Start&Stop	•	•	-
Sunroof	O	O	O

MULTIMEDIA			
Steering wheel radio controls	•	•	•
Radio and mobile phone controls on the steering wheel	•	•	•
Alfa Sound System with CD/MP3 player, dual tuner, dual aerial and 8 speakers	•	•	-
Bose® Hi-Fi system with CD/MP3 player, 10 speakers, dual tuner and dual aerial	-	-	•
Blue&Me™ (Bluetooth™ with voice commands and MP3 media player with USB port)	•	•	•
Set-up for Blue&Me™ TomTom portable navigation system	•	•	•

	DISTINCTIVE 1.4 TB MultiAir (manual)	DISTINCTIVE 1.4 TB MultiAir/ 2.0 JTDM TCT	QUADRIFOGLIO VERDE 1750 QV
INTERIOR EQUIPMENT			
Driver side and passenger side front electric windows with raise and lower mechanism	•	•	•
Electric rear windows	•	•	•
Black interior	P	P	•
Front armrest with storage compartment	•	•	•
Rear armrest with ski compartment	•	•	•
Automatic dual-zone climate control	•	•	•
Cruise control	•	•	•
Dark brushed aluminium dashboard inserts	P	P	•
Smokers' kit with power socket	•	•	•
Aluminium sports pedal unit	P	P	•
Competizione fabric seats	•	•	-
Seats in leather and microfibre fabric with red stitching	-	-	•
Seats in leather with 'cannelloni' roll pattern and red stitching	O	O	O
60/40 split folding rear seat	•	•	•
Electro-chromic interior rear view mirror	•	•	•
On-board instrumentation with multi-function display and Trip Computer	•	•	•
Pockets on seat backs	•	•	•
Third rear headrest	•	•	•
Leather steering wheel with Opaque Black panel	•	•	-
Sports steering wheel in leather with red stitching and Opaque Black panel	P	P	•

PREMIUM PACK

- Electrically adjustable leather seats
- Sunroof

QV SPORTIVA PACK

- External QV Sportiva badge on front fenders
- Dark tinted windows
- Red brake calipers
- Sports steering wheel
- Sports suspension
- 18-inch turbine alloy wheels (435)
- Sports pedals
- Side skirts
- Quadrifoglio Verde alloy dash panel
- Satin door mirrors
- Tinted headlamps
- Side skirts
- Leather and microfibre trim
- Dark headlining
- Aluminium Kick plate



BLUE&ME™ - TOMTOM® 2 LIVE. Portable navigator created in partnership by Alfa Romeo and TomTom®. The housing, perfectly integrated in the centre of the dashboard, removes the need for a power cable, thus offering ergonomic and safe operation. This results in an excellent level of integration between the navigation system and the car, maximised by Blue&Me™ technology which allows it to be used with voice commands and steering wheel controls. The innovative LIVE system makes it possible for this device to provide traffic information, the location of speed cameras and weather conditions in real time. By suggesting alternative itineraries, TomTom® 2 LIVE contributes to cutting down wasted time, fuel consumption and CO₂ emissions. ■



Cruise control



Heated and electrically adjustable front seats



Armrest with through-loading system



Alfa dual zone automatic climate control



Extensive sun roof (linked to Black interior opt **5KW**)



On-board instrumentation with Trip Computer



Aluminium kick plate



Front armrest with storage compartment



Maximum protection on board the Giulietta with front, side and window airbags.



Seat Belt Reminder display (SBR)



Radio and mobile phone controls on the steering wheel



Alfa Sound System with CD/MP3 player and 6 speakers. Overseas model shown.